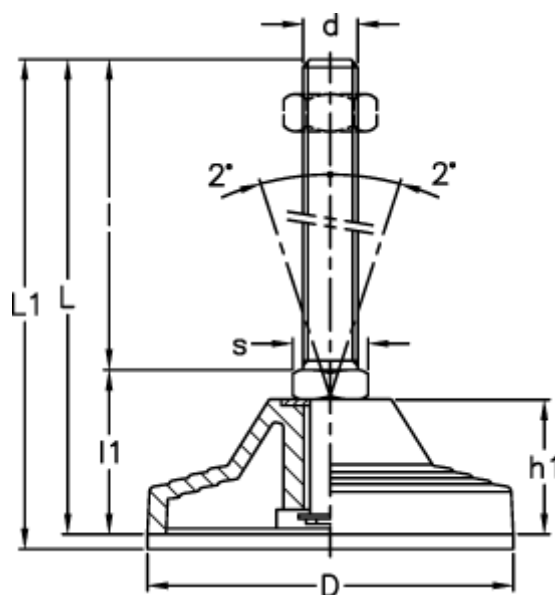


Article number: 2310310985

Description: E+G Levelling element w/no-slip disc
LV.A-125-APS-AS-M30x155

Measures



D	= 125
d	= M30
h	= 45
l	= 155
L	= 210
l1	= 55
L1	= 220
Max load (N)	= 40000

s = 30